



> Automatic Toll Cash and Credit Card Payment Machine

- The Automatic Toll Cash and Credit Card Payment Machine is developed to meet the request for flexibility in the toll collection systems, so that non-registered users can purchase a one off fee ticket as payments for the toll. This alternative payment system can be integrated to the existing toll collection system of the operator.
- The cash machine is installed with a vandalism proof, sunlight reflecting 12-inch monitor, which durable to operate in all weather conditions. Successful payments will print out a receipt for the customer. During the operation, both audible and on screen guidance is provided for the user to ease the operation, and provide a fast process of the payment. The payment steps has been designed to optimize the ergonomics and speed of payment completion.

Technical Specification

- Optional cash recycler unit

Customize banknote unit

2 notes per second (for accepting and dispensing)

Up to 8x60 banknote recycler

2200 banknote capacity

Escrow up to 30 banknotes

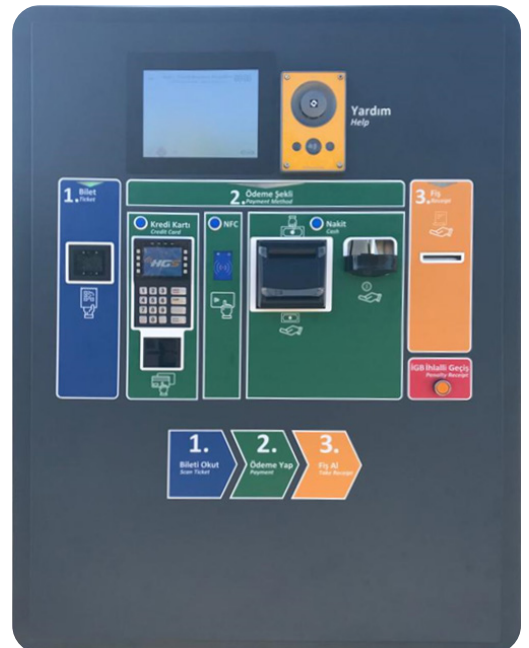
Collection of various foreign currencies from countries spanning the globe.

Secure and easy cash operation

- Optional coin dispenser unit

Up to 8 coin different type

Up to 4000 coin capacity





Technical Specification

- Optional credit card unit

Contactless/NFC

1D&2D QR Codes

IC Cards

Magnetic Stripe Cards

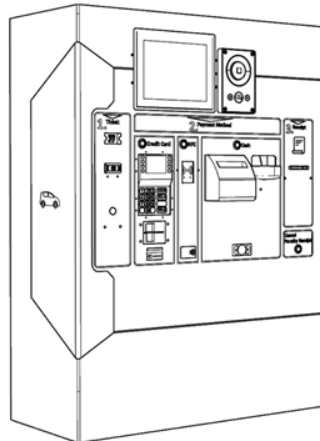
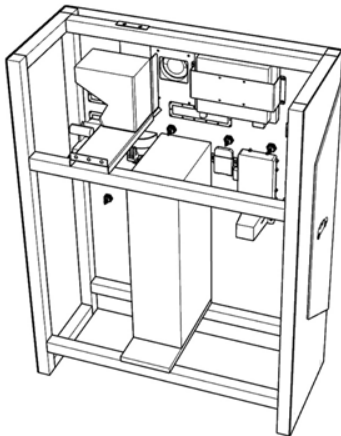
Mobile payment

12" anti-vandal, sunlight readable and transfective monitor

60 mm thermal roll paper receipt

Motorized card reader

Protection: IP65





Features

Ergonomic design

Optional loyalty card usage

Customized passing scenarios

Voice and led indicator guidance

24-hour surveillance for security

Automatic Toll Payment Machine can be manned or unmanned

Second floor for higher vehicles

Logged authentication for maintenance or cash operations

User friendly and speed optimized interface.

Direct access to take support via its intercom unit

